

4

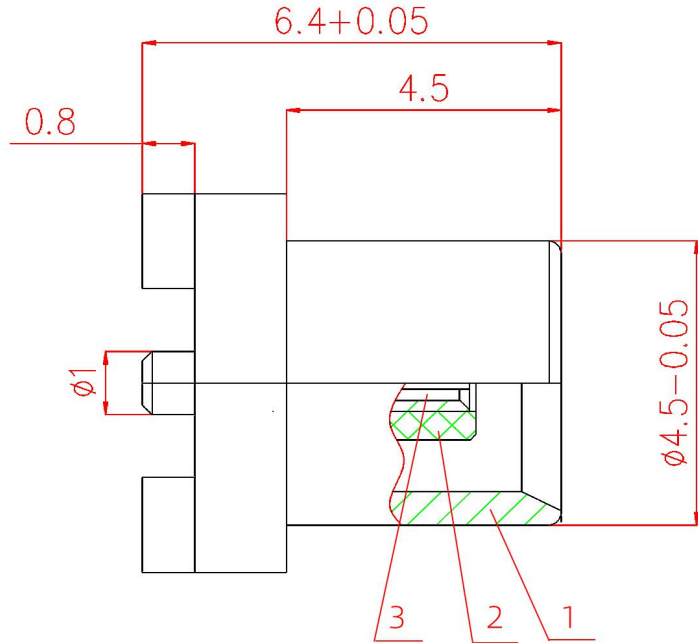
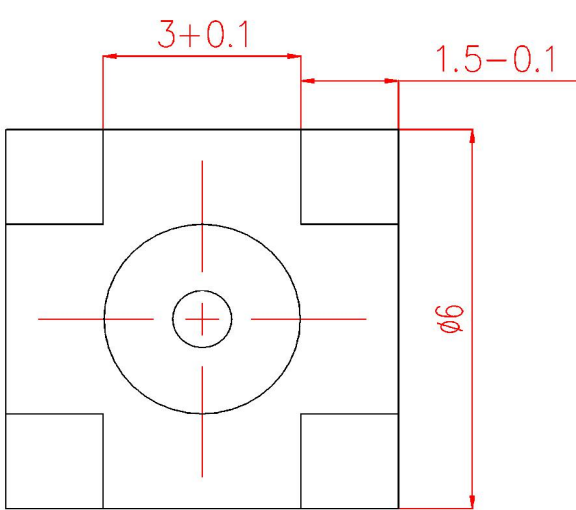
3

2

1

THIS DRAWING UNPUBLISHED.	RELEASED FOR PUBUCATION
---------------------------	-------------------------

LOC	DIST	REVISIONS					
---	---	P	LTR		DATE	DWN	APVD
			---	---	---	---	---



- NOTES:
- ELECTRICAL:
    - IMPEDANCE: 50Ω
    - INSULATION RESISTANCE: 5000M Ω
    - FREQUENCY RANGE: DC-6 GHz
    - DIELECTRIC WITHSTANDING VOLTAGE: 750V MAX AT SEA LEVEL
    - VSWR: ≤1.20:1
    - INSERTION LOSS: 0.25dB (MAX)

MODEL	1	2	3	/
XQY-MCXKET-TB PATCH	BRASS	BERYLLIUM BRONZE	PTFE	/
	GOLD PLATING	GOLD PLATING	/	/
Accept custom sizes and styles				

- ENVIRONMENTAL:
  - TEMPERATURE RANGE: -55° to +125°
- MATERIAL AND FINISH:
  - INNER CONDUCTOR MATERIAL: BERYLLIUM BRONZE GOLD PLATING
  - INSULATOR: PTFE
  - EXTERNAL CONDUCTOR MATERIAL: BRASS GOLD PLATING

THIS DRAWING IS A CONTROLLED DOCUMENT		21/10/2021	Shenzhen xinqiyuan Technology Co., Ltd.
		CHK	
DIMENSIONSMM	TOLERANCES UNLESS OTHERWISE SPECIFIED: ±0.1 Note: Dimensions (mm / [inch])	APVD	NAME MCX Female RF Coaxial Connector Printed circuit board
		APPLICATION SPEC	
		WEIGHT	SIZE A4 CAGE CODE 01021 DRAWING NO XQY-MCXKET-TB

4

3

2

1